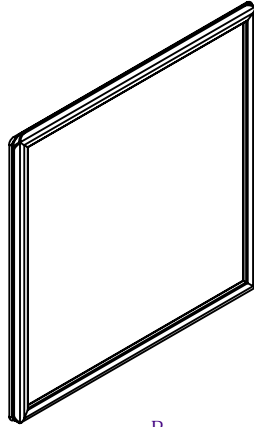
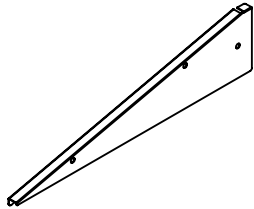


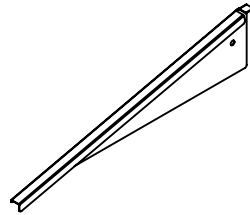
A



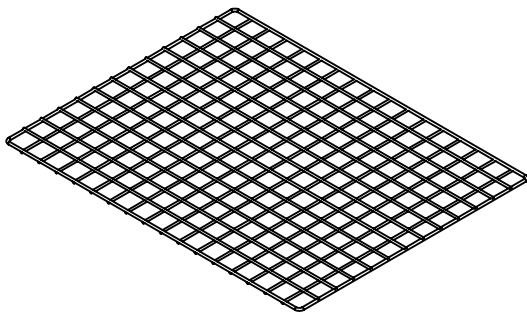
B



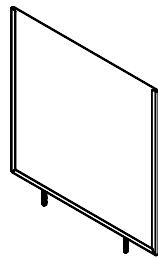
C



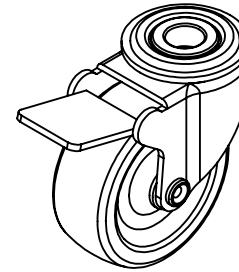
D



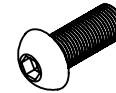
E



F



① 2" Caster with locking
6x



② Screw M10*25
6x



③ Washer M10
4x

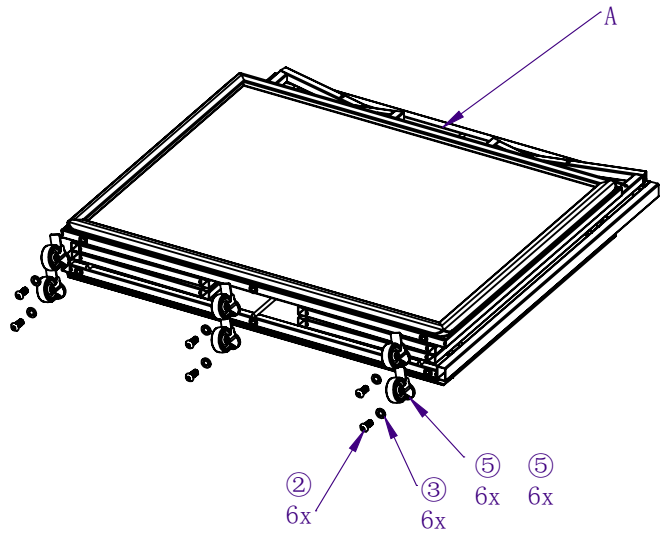


④ Wing nut M6
2x

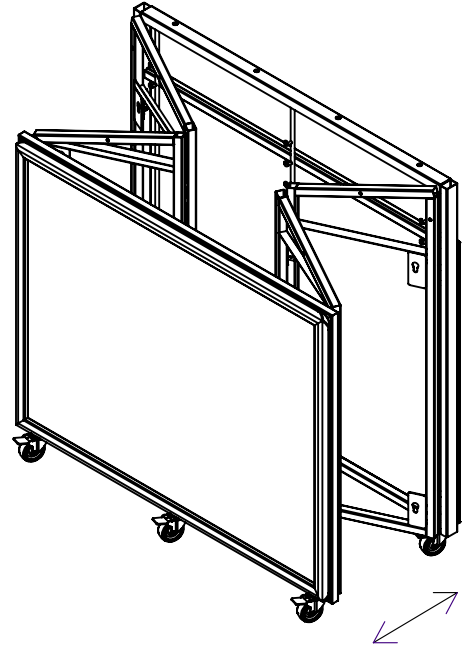


⑤ Plastic rivets
7x

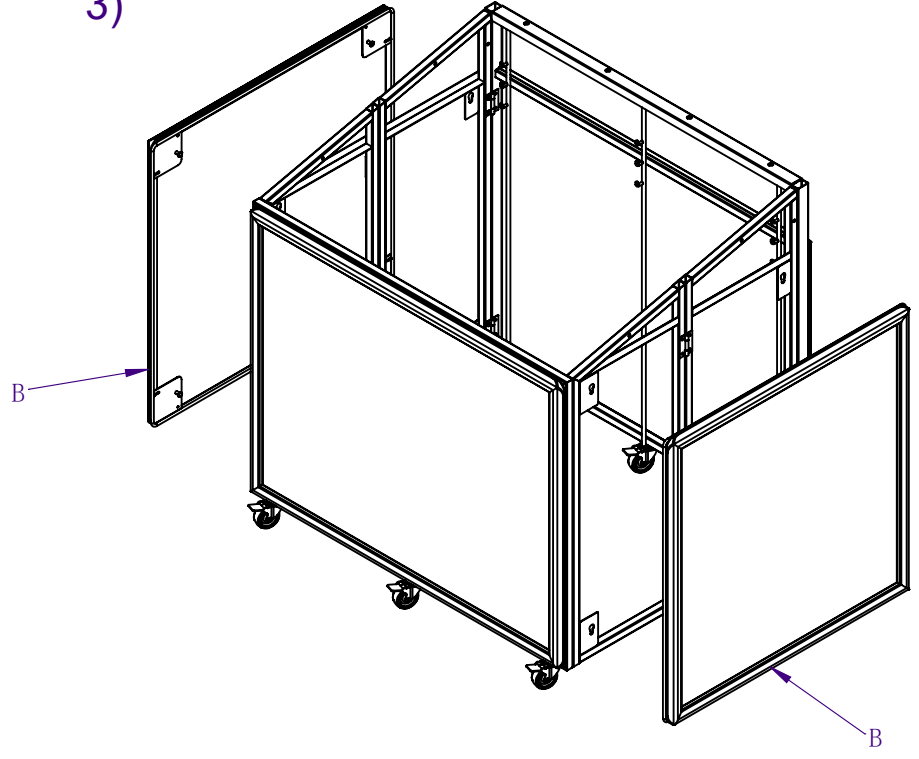
1)



2)



3)



4)

